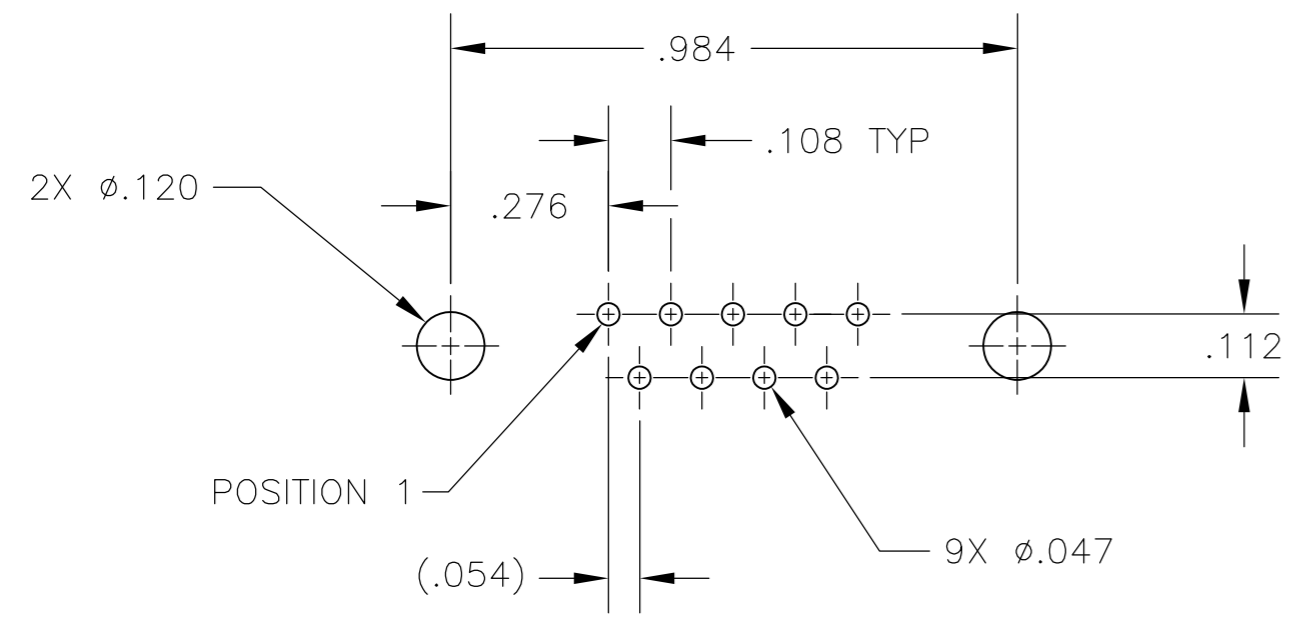
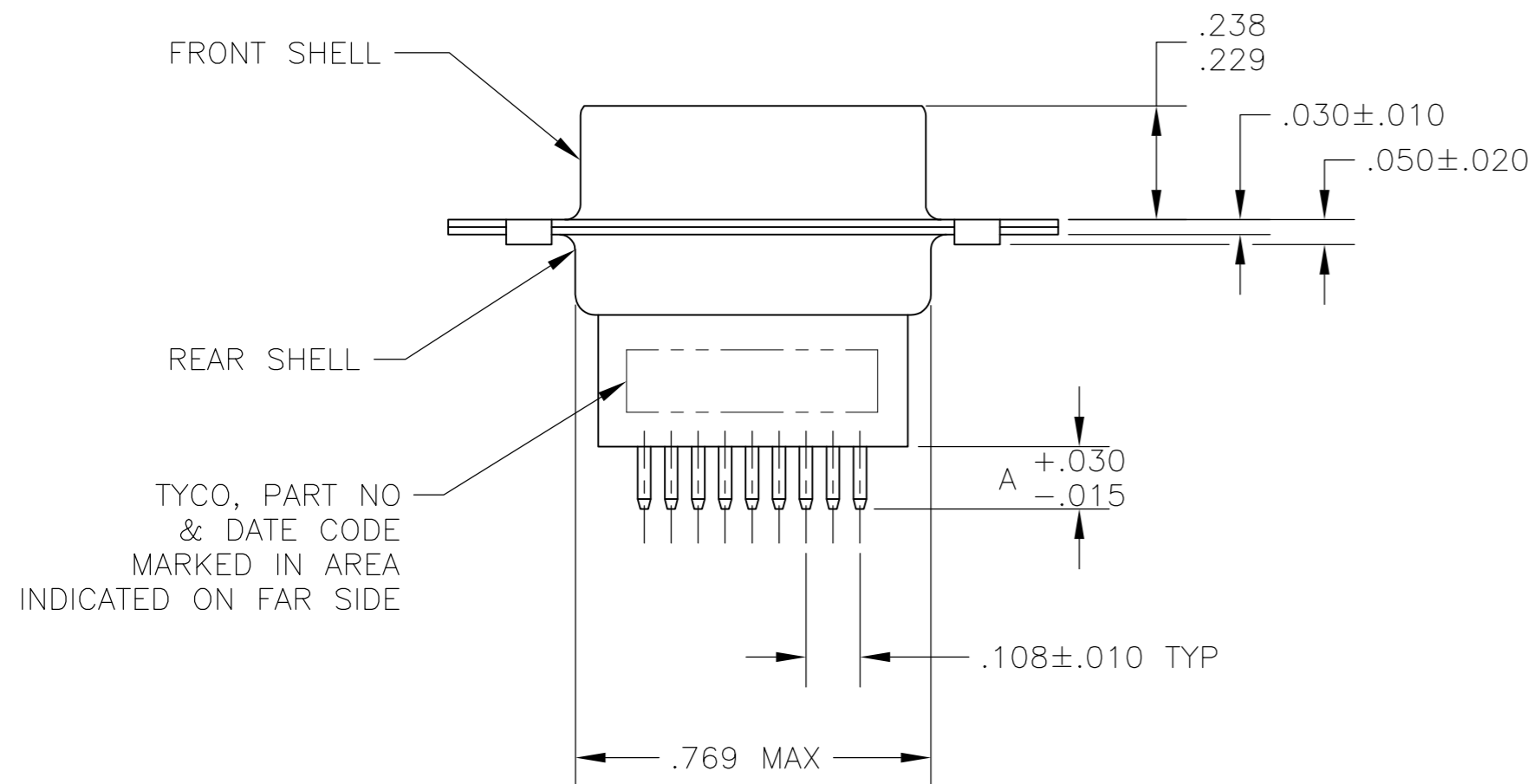
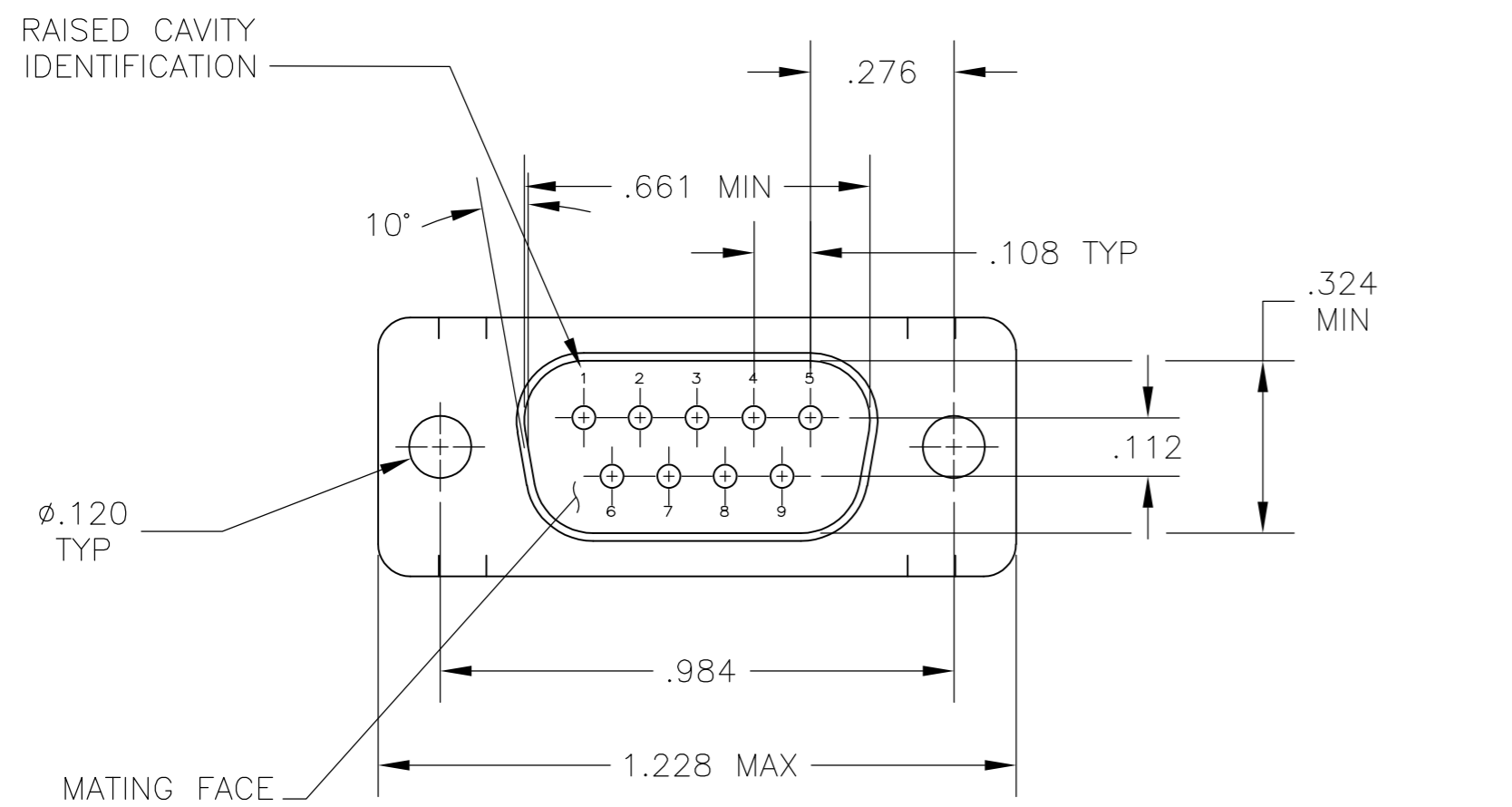


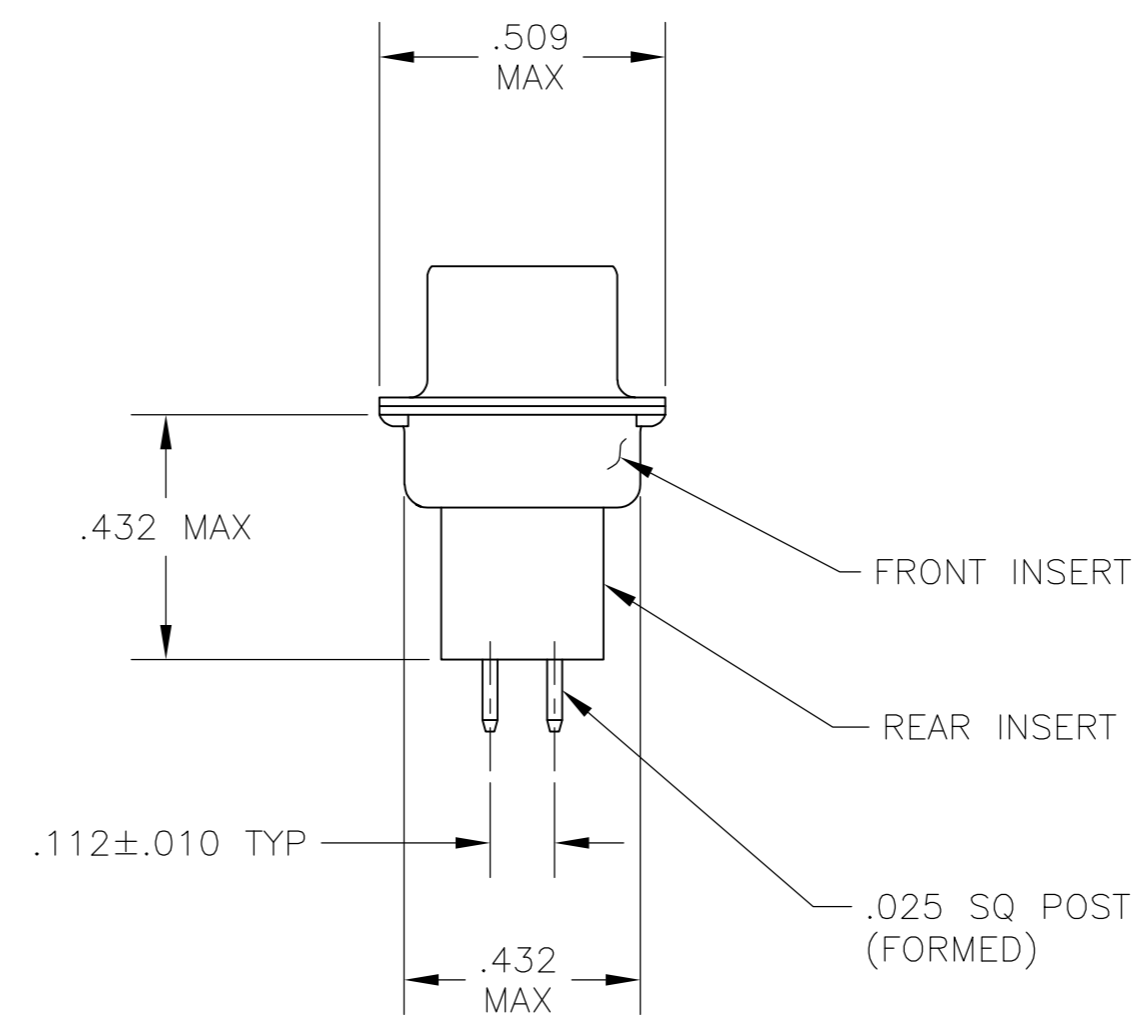
THIS DRAWING IS UNPUBLISHED. RELEASED FOR PUBLICATION  
 © COPYRIGHT 2005 By - ALL RIGHTS RESERVED.

LOC	DIST	REVISIONS			
P	LTR	DESCRIPTION	DATE	DWN	APVD
GP	00	D	REVISED PER ECO-14-011808	09AUG2014	AP SB



PC BOARD MOUNTING DIMENSIONS

- 1 MOLDED PARTS: GLASS-FILLED PBT OR GLASS-FILLED NYLON, UL94V-0 RATED.  
 COLOR: BLACK  
 SHELLS: CARBON STEEL  
 CONTACTS: BRASS
- 2 SHELLS: .000200 MIN ZINC WITH YELLOW CHROMATE COATING.  
 CONTACTS: GOLD PLATED FOR LENGTH OF .150 MIN FROM MATING END,  
 .000030 MIN GOLD IN MATED AREA,  
 .000100 MIN TIN ON SOLDER END, BOTH OVER  
 .000050 MIN NICKEL.  
 OR  
 GOLD FLASH OVER PALLADIUM-NICKEL PLATED FOR LENGTH OF  
 .150 MIN FROM MATING END,  
 .000030 MIN TOTAL IN MATED AREA,  
 .000100 MIN TIN ON SOLDER END, BOTH OVER  
 .000050 MIN NICKEL.



.188	5205733-7
.125	5205733-1
A	PART NO

THIS DRAWING IS A CONTROLLED DOCUMENT.		DWN B. LATTUCA 02SEPT05	TE Connectivity	
DIMENSIONS: INCHES		CHK S. BOLASH 02SEPT05		
TOLERANCES UNLESS OTHERWISE SPECIFIED:		APVD M. WALMSLEY 02SEPT05	NAME PLUG ASSEMBLY, SIZE 1, 9 POSN, VERTICAL AMPLIMITE HDP	
0 PLC ± -		PRODUCT SPEC 108-40025	SIZE A2	
1 PLC ± -		APPLICATION SPEC 114-40013	CAGE CODE 00779	DRAWING NO 5205733
2 PLC ± -		WEIGHT -	RESTRICTED TO -	
3 PLC ± .005		SCALE NTS		
4 PLC ± -		SHEET 1 of 1		
ANGLES ± -		REV D		
FINISH		CUSTOMER DRAWING		

5205733